



World's No.1 for **Turf** Protection



terratile[®] versatile turf protection for pedestrian use & access for light/medium weight vehicles with pneumatic turf tyres – eg gators, trolleys etc.

FACTS about **terratile**[®]:

- LONGEST GUARANTEE 10 years – incl. camlocks/pins
- SAFEST Each tile 8kgs/17.5lbs, each assembled panel 32kgs/70lbs
- LIGHT WEIGHT Unique circular rib pattern for extra strength - 554psi
- EXTREMELY STRONG Certified Non-Slip Surface
- COMPETITIVELY PRICED Combine with drivable product for a cost effective solution
- FASTEST FITTING Panel size 4m²/43ft² means more coverage with each panel laid by 2 people
(1 panel = 4 tiles pinned together at the factory)

terratile®

THE VERSATILE SOLUTION FOR MULTI-PURPOSE VENUES

terratile is manufactured from Translucent Virgin High Density Polyethylene (HDPE), that is not only very strong, it also allows sufficient light to pass through to ensure continuous photosynthesis – a **MUST** for the ultimate protection of the grass.

It incorporates an integral anti-slip top surface with specially designed, raised air holes that allow the turf to breathe but at the same time prevent liquids from penetrating to the turf below.



terratile has radiussed webbing for maximum strength & patented round feet that lift the tile slightly from the turf thus minimising any 'cutting'.

It has an overlap which, when combined with the factory fitted pins and the locking cams, delivers expansion/contraction capability whilst preventing rubbish & non-desirable liquids from passing through to the turf – whether natural or artificial.

terratile is pinned into panels of 4 tiles prior to leaving the factory. This means that because you are fitting 4m² each time, it is very fast to fit and lift. Each panel weighs 32kgs so is easily handled by two people.

'Time is Money'..... from sports stadium to concert venue and back again – the fastest turnaround possible

terratile®

SPECIFICATIONS



Dimensions	1m (39.37") x 1m(39.37") x 39mm (1½"). Pinned together in panels of four tiles at the factory and shipped on pallets. Actual fitted size : 2m x 2m = 4m² (6' 6" x 6' 6"= 42.25²ft)
Weight	8 kgs per m ² /17.5lbs per tile /1.64lbs per ft
Loaded Pallet Details	@ 29 rows of 4 tiles = 2mL x 2mW x 1.31mH /6'6" x 6'6" x 4'4" 1,030kgs / 2,271lbs
Transportation	1,220m ² /13,132ft ² per 40ft HC container / 1,400m ² / 15,070ft ² per std trailer
Material	High molecular weight, high density, polyethylene with *UV stabiliser
Method of Manufacture	Structural Foam Injection moulded using a blowing agent, which produces an engineering foam moulding with strength enhancing cellular core
Temperature Range	-20°C to 50°C (-4°F to 122°F)
Loading (Static)	554 psi
Fire Requirements	UL94 HB
Colours	Translucent natural material, which allows the passage of light, ensuring grass growth – without yellowing
Cleaning	High pressure cold water spray washer / steam cleaner / cleaning machine
Life Expectancy	Guaranteed for 10 years but has a realistic life expectancy of c. 15 years. *30 year warranty against UV degradation
Applications	Temporary flooring to cover natural / hybrid / artificial turf for all special events
Slip Resistance	Highest rated integral anti-slip top surface (Certified)



terratile®

IN USE



Hordes of fans at Cape Town Stadium for U2



All prepared for dining under the stars at Nelson Mandela Bay Stadium



Dubai Sports City – ready to go



Dining under the stars at Nelson Mandela Bay Stadium, South Africa



The last leg of the Olympic Winter Games torch relay culminated at the Akhmat Arena in Russia



Fabulous location for the Durham Blues Festival at Durham Athletic Park, USA

terratile®

IN USE



David Guetta at Stade des Alpes, Grenoble



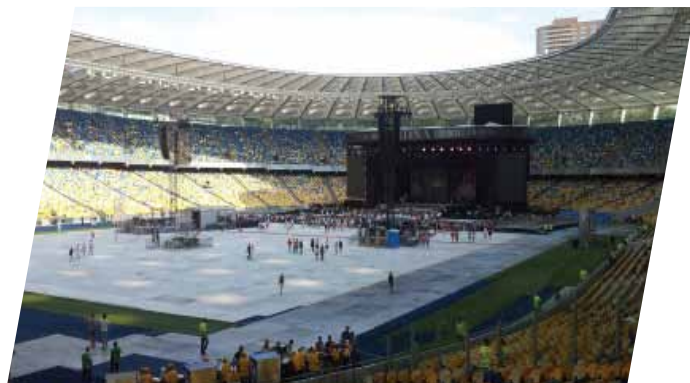
Concert setup at NSC Olimpiyskiy, Kiev



Ready to welcome Depeche Mode at NSC Olimpiyskiy, Kiev



The grand opening ceremony at NSC Olimpiyskiy, Kiev



Madonna at NSC Olimpiyskiy, Kiev



Madonna at NSC Olimpiyskiy, Kiev

terratile®

IN USE



Concert setup at Arena Lviv, Ukraine



Dzdizio at Arena Lviv, Ukraine



A Temporary Ice Rink for the 'Winter Game' at Stade des Alpes, Grenoble



Luzhniki Stadium, Moscow uses their terratile for the first time.



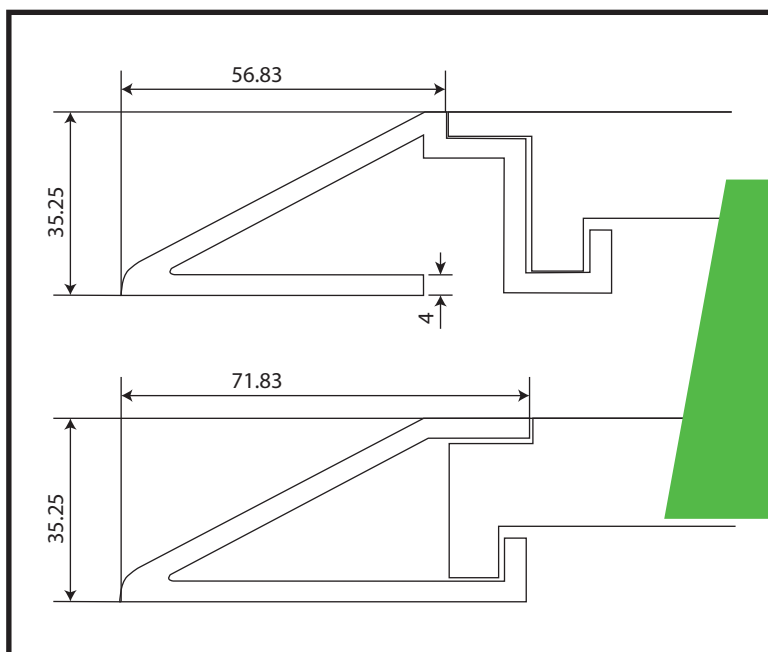
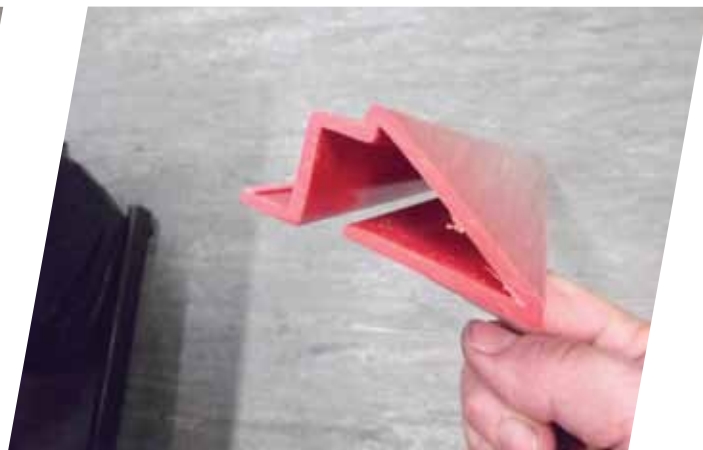
Cape Town Stadium South Africa for U2



Donbass Arena, Ukraine plays host to a boxing match

To protect the public from trip hazards, terratile edge trims have been specially designed to create a smooth transition from earth to tile system.

terratile edge trims are a purchasable accessory, provided in red & yellow colours to alternate and act as a warning edge.



terratile edge trims measure 1m in length with an overall height of 35.25mm and an overall width of 72mm interlink as 'male' & 'female' section for the respective sides of the tile.

Each 1m long section weighs approximately 1kg.

Material: High Impact Rigid PVC

Manufacturing Process: Extrusion at a temperature of 180°C

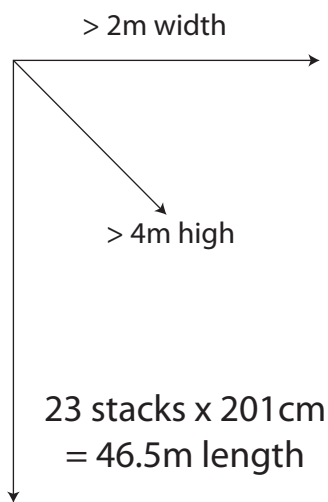
8,000 tiles pinned in 4s = 2,000 panels of 4 @ 29 rows per pallet, therefore 69 pallets.

Each pallet measures 201cm width, x 201cm depth x 133cm height.

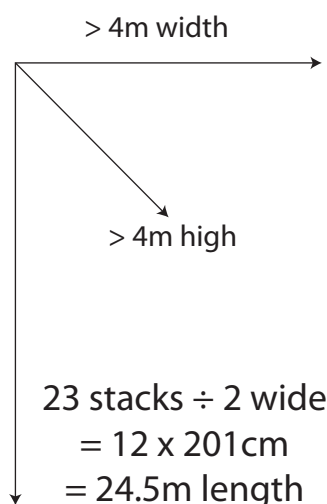
Stacked in 3s requires a height of > 4m, Stacked in 2s requires a height of > 3m

Therefore:

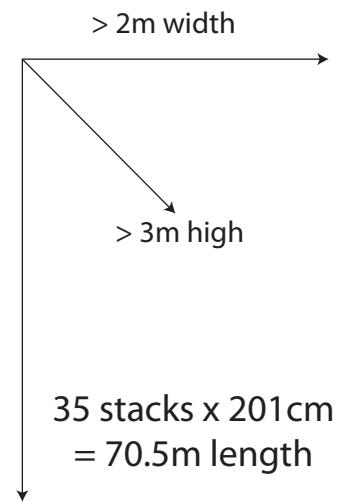
3 high in 1 row of stacks
= 69 div by 3 = 23 stacks



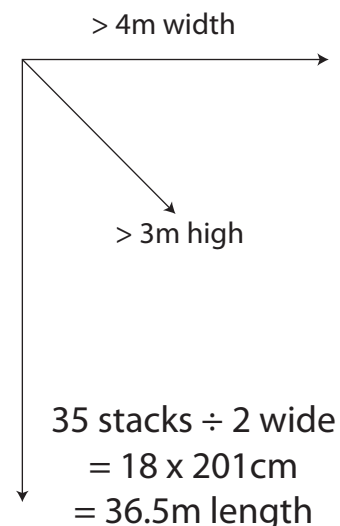
OR



2 high in 1 row of stacks
= 69 div by 2 = 35 stacks

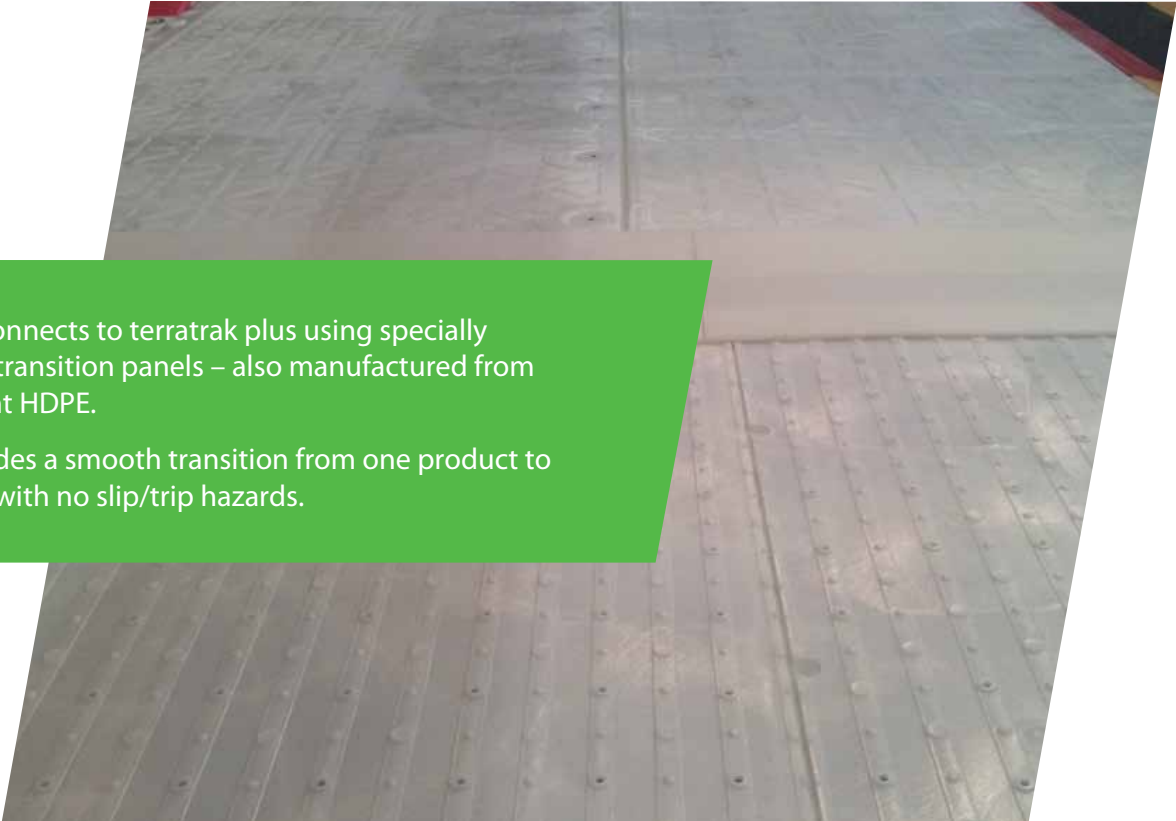


OR



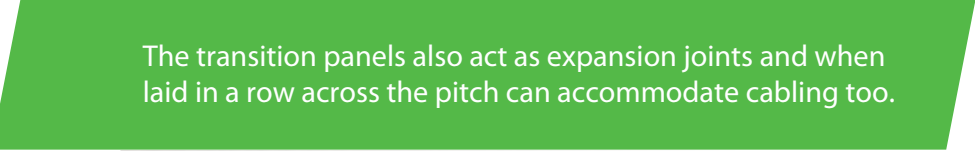
When pallets are stacked **3 high** an area of c. 95m² is needed and height of >4m, to allow for lifting the pallets on top of each stack, ie c. 380m³

When pallets are stacked **2 high** an area of c. 145m² is needed and height of >3m, to allow for lifting the pallets on top of each stack, ie c. 435m³



terratile connects to terratrak plus using specially designed transition panels – also manufactured from translucent HDPE.

This provides a smooth transition from one product to the other with no slip/trip hazards.



The transition panels also act as expansion joints and when laid in a row across the pitch can accommodate cabling too.



terratile is pinned into panels of 4 tiles prior to leaving the factory. This means that because you are fitting 4m² each time, it is very fast to fit and lift. Each panel weighs 32kgs so is easily handled by two people.

terratile®

STEEL DDA RAMPS

To conform with DDA requirements steel access ramps are available.

These are manufactured to order and lock to the tile.

An example image is below:



